



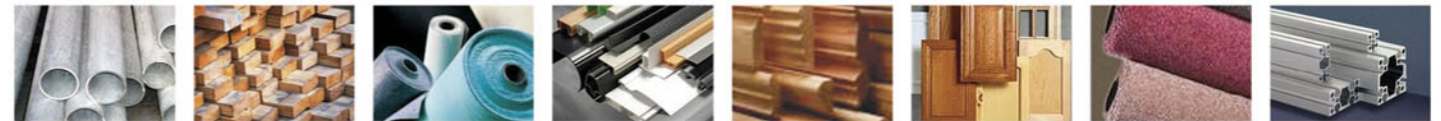
WULFTEC® WRW-SPIN HORIZONTAL STRETCH BUNDLER

Put a positive spin on your packaging with Wulftec's WRW-SPIN horizontal stretch bundlers.

WULFTEC'S KNOW-HOW DEMONSTRATED IN AN AFFORDABLE HORIZONTAL STRETCH BUNDLER

Built with the same quality as every Wulftec® stretch wrapping system, the WRW-SPIN is a horizontal stretch bundler suited for various applications.

A great alternative to strapping, taping, poly bags, corrugated materials or other unitizing methods. It minimizes total packaging costs (labor & material) compared to hand wrap. The preferred way to wrap long products that can't be wrapped on conventional wrapping machines.



Flexible and custom built, the WRW-SPIN can be integrated into your exiting line to maximize productivity.

Use as a fully automatic machine with conveyor lines in & out or as a semi-automatic machine with customers pushing loads through the machine for continuous wrap.

THE WULFTEC ADVANTAGE:

- Non-proprietary parts
- Easy integration into existing lines
- Local support with qualified technicians for installation, integration, repairs, inspection...
- Parts delivered within 24 hours
- We offer advisory service



WULFTEC® HEAVY DUTY CONVEYORS WILL CONVEY ANY PRODUCT

GREAT
VERSATILITY

NON-
PROPRIETARY
PARTS



WE FEAR NO PACKAGING CHALLENGE

WWW.WULFTEC.COM

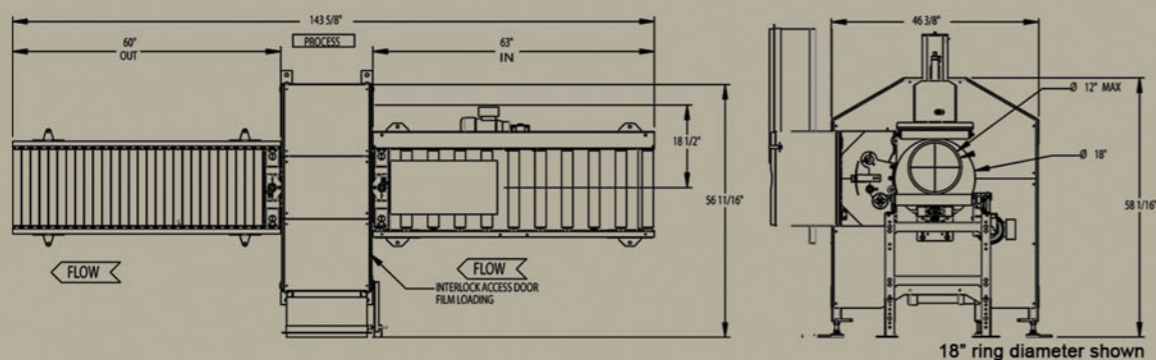
WRW-SPIN



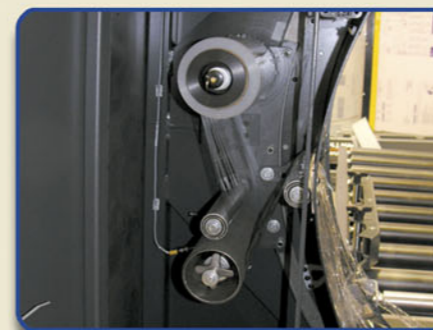
TECHNICAL SPECIFICATIONS

PRODUCTION RATE*	- Up to 200 loads per hour*
LOAD SIZE	- Maximum diagonal load dimension must be 8" (4" on each side) smaller than ring size
LOAD WEIGHT	- Up to 5,000 lbs
MACHINE DIMENSIONS	- See diagram
ELECTRICAL REQUIREMENTS	- 230V/3/60 15A
PNEUMATIC REQUIREMENTS	- Up to 3 CFM @ 80 PSI comes with FR (Filter, Regulator)
FILM DELIVERY SYSTEM	- 10" adjustable mechanical tensioning brake - Rapid-lock film roll device
AVAILABLE RING SIZES	- 18, 24, 36, 48, 60, 72 inch diameter
OPTIONS	- Top hold down - Side guides (manual or automatic) - Touch screen with advance programming - Conveyors (belt, chain, rollers, gravity)
STRUCTURE	- Heavy-duty structural steel construction - Ergonomically friendly film loading carriage position
WARRANTY	- 3-year unlimited cycle warranty - 10-year warranty on steel structure

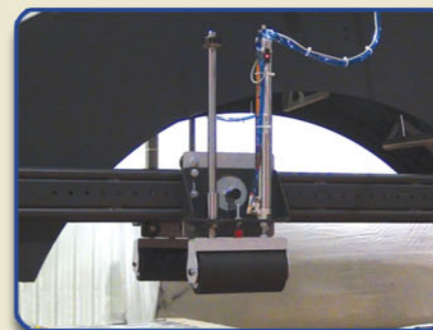
*Production rate based on load size and configuration.



THE WULFTEC ENGINEERING TEAM HAS REDEFINED THE BOUNDARIES OF HORIZONTAL STRETCH BUNDLERS



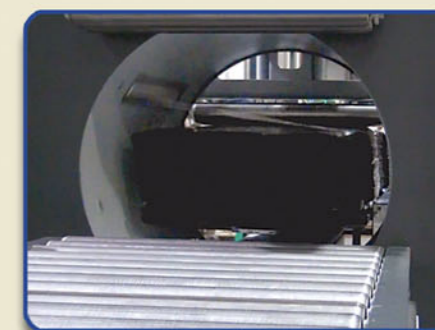
Carriage accepts 5" or 10" rolls of film. Loading clamp and rapid lock roll device. Easy & quick access to the carriage for simple re-loading. Adjustable film tension directly on the carriage.



Popular options include: infeed and outfeed conveyors, side guides, top hold downs, touch screen & advanced controls, supporting bridge, etc...



Automatic cutting/clamping finger safe unit



Fully enclosed wrap zone for more protection



Touch screen and PLC allows maximum versatility: pre-set wrap patterns, various configurations, control of ring speed and conveyor speed to reach the perfect package. Allows for multiple wrap modes & banding capabilities.

November 2011



AG DRIVES



FOOT PEDAL



QUICK DISCONNECT



STEEL STRUCTURE



M.J. MAILLIS
WULFTEC.com

Wulftec International Inc.
209 Wulftec, Ayer's Cliff, Quebec, Canada J0B 1C0
Toll free: 1 877 WULFTEC (985-3832)
Phone: 819 838-4232 Fax: 819 838-5539
Email: wulftec@wulftec.com